

# SVERKER 900

## Relay and Substation Test System

# Application Note

## Check trip on relay with ABB supervision relay

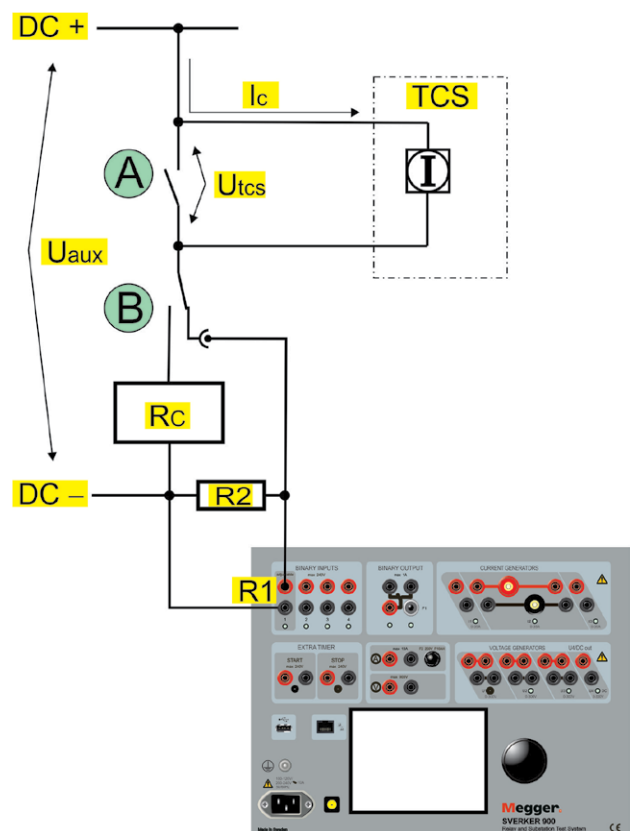
<b>Problem</b>	The Binary input (BI1-BI4) will be activated even if the trip circuit is not closed.
<b>Cause</b>	Because of the high resistance (R1=500 kohm) on SVERKER 900 inputs BI1-BI4 there will be very low voltage over U <sub>tcs</sub>
<b>Solution</b>	When ABB supervision relay type SPER 1B1 C4, SPER 1C1 and SPER1C2 are used for TCS (trip circuit supervision relay) an extra resistance R2 has to be added during testing to lower the voltage over BI1.

Following values for R2 are selected depending on type and voltage.

R2 values are calculated from formulas:  $U_{aux} - U_{tcs} = I_c \times R_{tot}$   $R_2 = R_{tot} \times R_1 / R_1 - R_{tot}$

Aux. voltage	110 V DC	220 V DC	24 V DC	48 V DC
SPER 1B1 C4 / SPER 1C1	44 kΩ	146 kΩ		
SPER 1C2			800 Ω	5.6 kΩ

Technical data		SPER 1B1 C4 / SPER 1C1	SPER 1C2
Voltage of the circuit monitored	U <sub>aux</sub>	40-265 V DC	20-60 V DC
Measuring current	I <sub>c</sub>	1.5 mA	5 mA
Min. voltage over the trip circuit supervision unit	U <sub>tcs</sub>	40 V DC	20 V DC



Legend	
TCS	Trip circuit supervision
A	Trip contact
B	In service/Test switch
R1	500 kΩ (BI1)
R2	Extra resistance (only used during testing)
Rc	Resistance of the coil controlled

**Megger**<sup>®</sup>

**Postal address:**

Megger Sweden AB  
Box 724  
SE-182 17 DANDERYD  
SWEDEN

**Visiting address:**

Megger Sweden AB  
Rinkebyvägen 19  
SE-182 36 DANDERYD  
SWEDEN

---

T +46 8 510 195 00    [seinfo@megger.com](mailto:seinfo@megger.com)  
F +46 8 510 195 95    [www.megger.com](http://www.megger.com)

**NOTICE OF COPYRIGHT & PROPRIETARY RIGHTS**

© 2014, Megger Sweden AB. All rights reserved.

The contents of this document are the property of Megger Sweden AB. No part of this work may be reproduced or transmitted in any form or by any means, except as permitted in written license agreement with Megger Sweden AB. Megger Sweden AB has made every reasonable attempt to ensure the completeness and accuracy of this document. However, the information contained in this manual is subject to change without notice, and does not represent a commitment on the part of Megger Sweden AB. Any attached hardware schematics and technical descriptions, or software listings that disclose source code, are for informational purposes only. Reproduction in whole or in part to create working hardware or software for other than Megger Sweden AB products is strictly prohibited, except as permitted by written license agreement with Megger Sweden AB.

**TRADEMARK NOTICES**

Megger® and Programma® are trademarks registered in the U.S. and other countries. All other brand and product names mentioned in this document are trademarks or registered trademarks of their respective companies.

Megger Sweden AB is certified according to ISO 9001 and 14001.